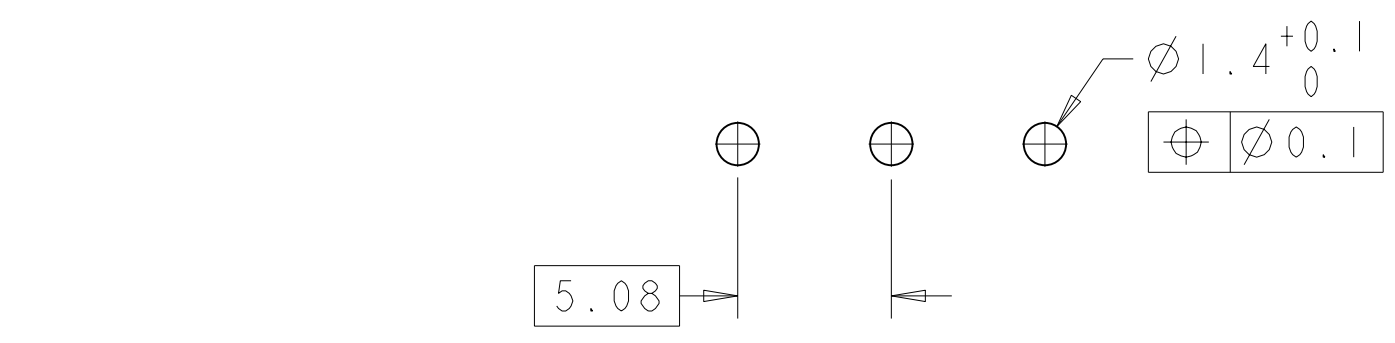
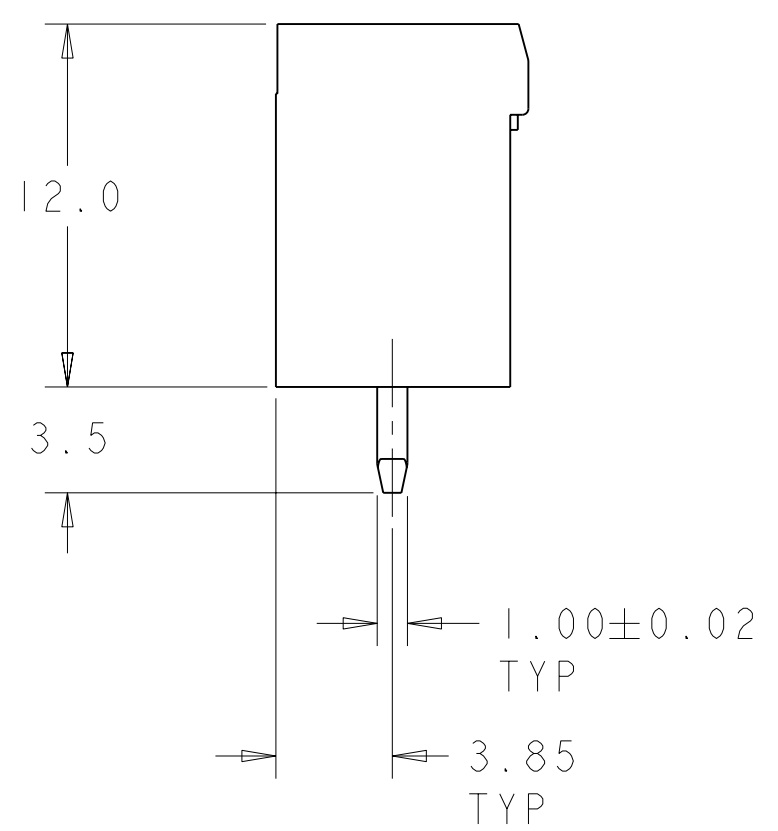
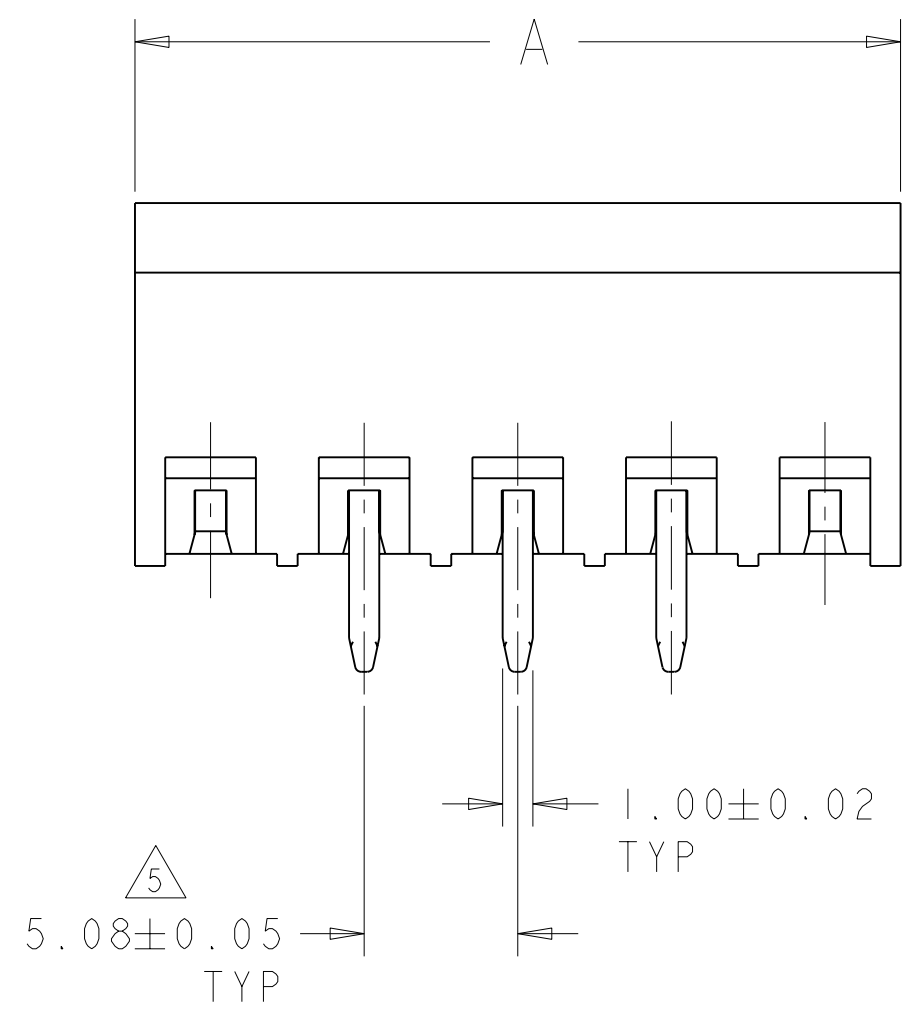
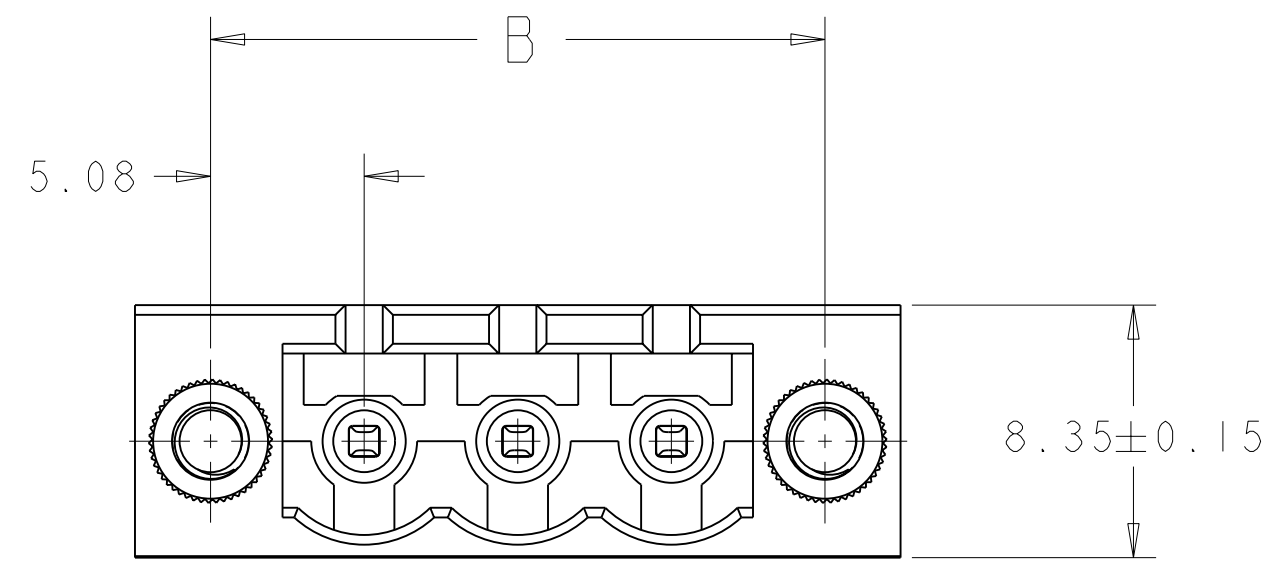


THIS DRAWING IS UNPUBLISHED. RELEASED FOR PUBLICATION 20
 © COPYRIGHT 20 BY TYCO ELECTRONICS CORPORATION. ALL RIGHTS RESERVED.

LOC		DIST		REVISIONS			
P	LTR	DESCRIPTION	DATE	DWN	APVD		
	A	RELEASED	-	-	-		
	B	REVISED EC 0G3B-0192-04	14APR2004	SW	CR		
	BI	REVISED EC0-05-000619	30AUG2005	SW	CR		



RECOMMENDED PC BOARD LAYOUT

- 1. MATERIALS AND FINISH:
 HOUSING: PA 6-6, UL 94V-0, COLOR: GREEN.
 TERMINAL: PHOSPHOR BRONZE, PLATING: SEE TABLE.
- 2. SUITABLE FOR 1.6 - 2, 4mm PC BOARD THICKNESS.
- 3. RECOGNIZED UNDER THE COMPONENT PROGRAM OF UNDERWRITERS LABORATORIES INC. FILE No. E60677.
- 4. IMQ CERTIFICATE WITH SURVEILLANCE ON CONFORMITY WITH IEC 998-1/998-2-1.
- 5. NOT CUMULATIVE TOLERANCE.
- 6. BUCHANAN LOGO TO APPEAR ON HOUSING, LOCATION OPTIONAL WHERE SPACE PERMITS.

PRELIMINARY	0.2µm GOLD	30.48	35.48	5	2-796867-4
TIN	121.92	126.92	23	2-796867-3	
TIN	116.84	121.84	22	2-796867-2	
TIN	111.76	116.76	21	2-796867-1	
TIN	106.68	111.68	20	2-796867-0	
TIN	101.60	106.60	19	1-796867-9	
TIN	96.52	101.52	18	1-796867-8	
TIN	91.44	96.44	17	1-796867-7	
TIN	86.36	91.36	16	1-796867-6	
TIN	81.28	86.28	15	1-796867-5	
TIN	76.20	81.20	14	1-796867-4	
TIN	71.12	76.12	13	1-796867-3	
TIN	66.04	71.04	12	1-796867-2	
TIN	60.96	65.96	11	1-796867-1	
TIN	55.88	60.88	10	1-796867-0	
TIN	50.80	55.80	9	796867-9	
TIN	45.72	50.72	8	796867-8	
TIN	40.64	45.64	7	796867-7	
TIN	35.56	40.56	6	796867-6	
TIN	30.48	35.48	5	796867-5	
TIN	25.40	30.40	4	796867-4	
TIN	20.32	25.32	3	796867-3	
TIN	15.24	20.24	2	796867-2	
TERMINAL PLATING	B	A	NO OF POSN	PART NUMBER	

THIS DRAWING IS A CONTROLLED DOCUMENT FOR TYCO ELECTRONICS CORPORATION. IT IS SUBJECT TO CHANGE AND THE CONTROLLING ENGINEERING ORGANIZATION SHOULD BE CONTACTED FOR THE LATEST REVISION.

DIMENSIONS: mm	TOLERANCES UNLESS OTHERWISE SPECIFIED: 0 PLC ± 1 PLC ±0.3 2 PLC ±0.25 3 PLC ±0.000 4 PLC ±0.0000 ANGLES ±	DWN S. WELDON 10 JUN 2002 CHK D. BIEVENOUR 0 JUN 2002 APVD D. BIEVENOUR 0 JUN 2002	BUCHANAN Tyco Electronics Harrisburg, PA 17105-3608
MATERIAL	FINISH	PRODUCT SPEC APPLICATION SPEC WEIGHT	NAME TERMINAL BLOCK HEADER ASSEMBLY, VERTICAL, WITH LOCKING SCREW FLANGE, 5.08mm PITCH
		CUSTOMER DRAWING	SIZE A2 CAGE CODE 00779 DRAWING NO C=796867 RESTRICTED TO
			SCALE 4:1 SHEET 1 OF 1 REV B1